



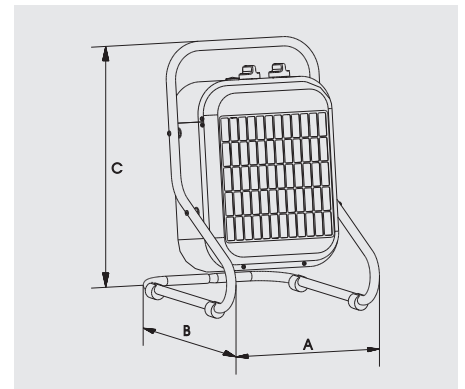
To provide fan assisted heating to commercial or industrial environments, or for drying applications.

**Characteristics**

- IP24.
- Made of steel sheet with a paint coating.
- Fitted with a handle to move it.
- Quiet axial fan.
- Switch enabling an adjustment of the extraction or heating of the units (only fan function; fan and low heating and fan and high heating operation).
- Thermostat allowing the setting of the desired temperature of the room.
- Rear switch that allows the thermostat to act on both the fan and the heater element or only on the heater (the fan operates permanently).
- Contactor.
- Thermal protection.
- Manual self resetting button (RESET).



**DIMENSIONS (mm)**

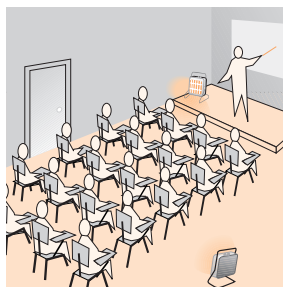


Model	A	B	C
EP-3N	333	395	490
EP-5N	333	395	490
EP-9N	408	495	595
EP-12N	408	586	600
EP-15N	408	586	600

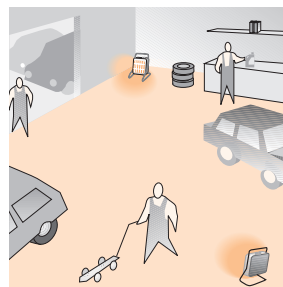
**APPLICATIONS**



Drying applications in building works.



Conference halls.



Workshops.

**TECHNICAL CHARACTERISTICS**

Model	Voltage 50 Hz (V)	Total power (W)	Heating power (W)	Maximum current (A)	Speed (rpm)	Maximum airflow (m <sup>3</sup> /h)	Sound pressure level* dB(A)	Temperature rise (°C)	Protected against splashing water	Air speed in discharge (m/s)	Weight (kg)	Colour
EP-3 N	230	3033	1500/3000	13	1300	350	43	26	IP24	2	7,5	Red
EP-5 N	3N AC 400	5033	2500/5000	7,2	1300	450	43	33	IP24	2,3	7,5	Red
EP-9 N	3N AC 400	9050	4500/9000	13	1300	800	49	33	IP24	2,4	10	Red
EP-12 N	3N AC 400	12040	6000/12000	17,3	1370	1.100	50	32	IP24	3,3	12	Red
EP-15 N	3N AC 400	15040	7500/15000	21,7	1370	1.100	50	40	IP24	3,3	12	Red

\* Sound pressure level at 1,5 meters, heater on the floor.